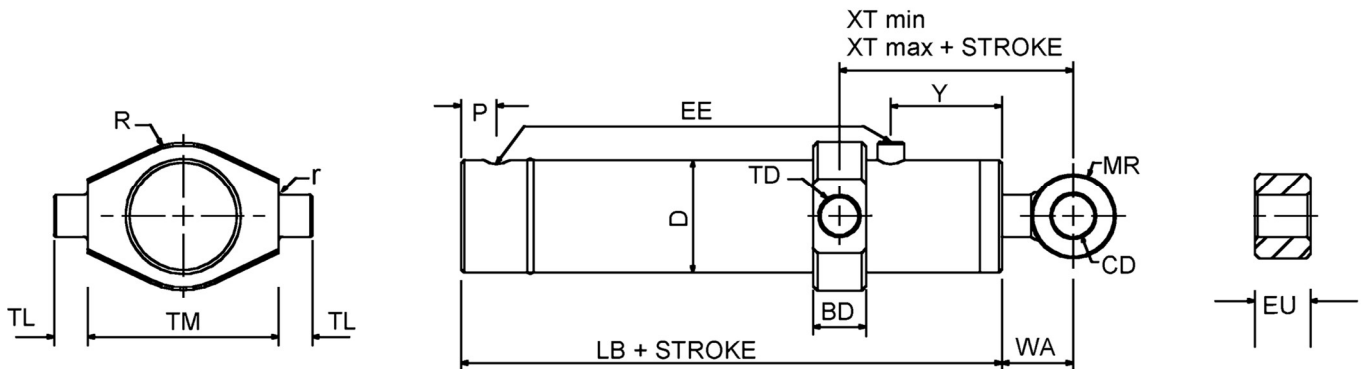


TRUNNION

Standard 210 Bar Series



CYL BORE	ROD DIA	CD (H11)	D	EE bssp	EU	LB	MR max	P	Y	WA	TM	TL	R	r	XT min	XT max	TD f8	BD
1.00"	0.50"	12.70	38	G1/4	16	94	12.5	13	32	25	60	12	28	1.0	41	67	12	16
	19																	
1.25"	0.62"	15.88	44.5	G1/4	19	102	16	13	40	28	67	14	32	1.0	48	76	16	20
	25																	
1.50"	0.75"	19.05	51	G3/8	25	131	20	15	50	32	80	16	35	1.5	54.5	102.5	20	25
	32																	
2.00"	1.00"	22.23	63.5	G3/8	32	148	22	15	60	38	100	20	44	1.5	64	122	25	32
	1.25"				38													
	1.50"				45													
2.50"	1.25"	25.40	76.2	G1/2	38	169	25	20	75	43	115	25	51	2.0	75	138	32	40
	1.50"				45													
	1.75"				50													
3.00"	1.50"	31.75	88.9	G1/2	45	184	32	20	85	52	130	30	58	2.0	90	157	38	50
	1.75"				50													
	2.00"				57													
3.25"	1.75"	38.10	95.3	G1/2	50	184	38	20	85	60	135	35	62	2.5	98	165	40	50
	2.00"				57													
	2.25"				63.5													
3.50"	2.00"	38.10	101.6	G1/2	50	189	38	20	90	60	145	40	65	2.5	99	170	45	50
	2.25"				57													
	2.50"				63.5													
4.00"	2.00"	44.45	114.3	G3/4	57	204	45	26	95	70	160	40	75	2.5	117.5	177	50	65
	2.25"				63.5													
	2.50"				76.2													
	3.00"				90													
4.50"	2.00"	44.45	130	G3/4	57	219	45	26	100	70	175	45	85	2.5	117.5	192	55	65
	2.25"				63.5													
	2.50"				76.2													
	3.00"				90													
5.00"	2.50"	50.80	146	G3/4	76.2	239	51	26	115	81	195	50	95	3.0	136	223	63	80
	3.00"				90													
	3.50"				102													
6.00"	3.00"	63.50	171.5	G3/4	90	260	60	26	136	95	230	60	110	3.0	151	251	75	80
	4.00"				115													
7.00"	3.50"	76.20	203.2	G1	102	293	70	34	155	108	265	70	130	3.0	177	273	90	100
	4.00"				115													
8.00"	4.00"	76.20	228.6	G1	115	318	75	34	180	115	295	80	145	3.0	194	295	100	120
	5.00"				150													